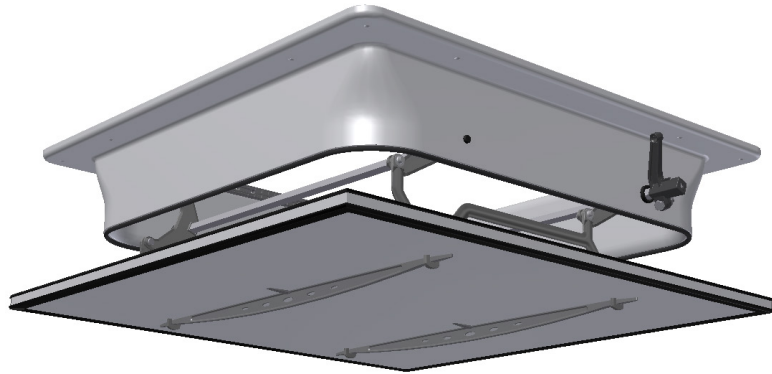




DOUBLE L GROUP LLC



AC3010

Actuated Ceiling 360 Degree Airflow Inlet

INSTALLATION INSTRUCTIONS

Please read instructions before attempting to install inlet

US Patent No.: 9,445,574



Have technical questions?
Contact Dick Streicher at
1-563-875-6257 or 1-800-553-4102

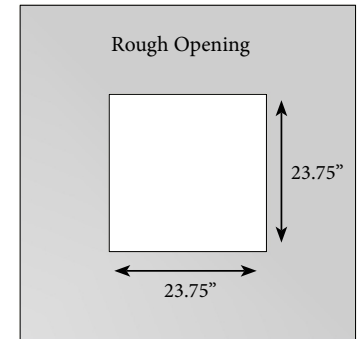
Double L Group, LLC
2020 Beltline Road, Dyersville, IA
52040-0324 USA
www.doublel.com

Rev.3.4 October 2014

Pre-Installation Preparation

Pre-installation Inspection:

- Inspect inlet condition for breaks and deformed parts
- Rough opening in ceiling (23.75" x 23.75")
- Mounting surface should be flat
- No need to cut ceiling straps
- Ensure that no debris is hanging out of rough opening hole that can interfere with inlet mechanism



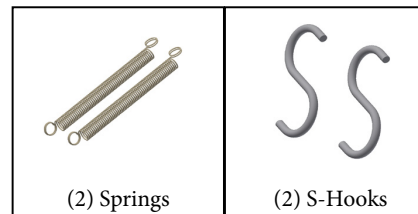
Installation Tools

The following tools may be required depending upon your particular installation. They are not included.

- Power Drill
- (8) 2" x #8 Wood Screws and Washers per Inlet
- Caulk Gun
- Caulking
- Tape Measure
- Pencil
- Ladder
- Protective Eyewear

Parts List (AC3010 Kit)

Kit contains the following parts:



Visit the Double L website at <http://doublel.com>

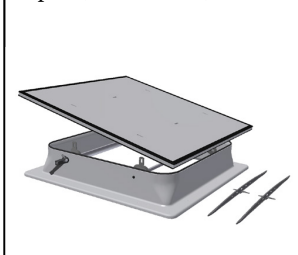
AC3010 Installation

Step 1: (Remove Lid Pins)



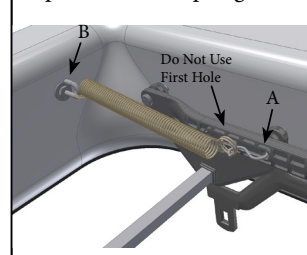
Remove Lid Pins by lifting on center pin until tab comes out of hole on lid. Then pull the pin sideways so that it bends enough to be freed.

Step 2: (Remove Lid)



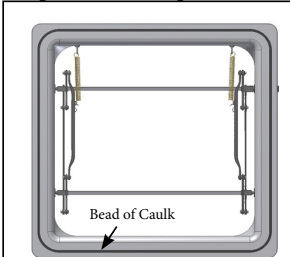
Once pins are removed, lift off lid and place in safe location.

Step 3: (Attach 2 Springs)



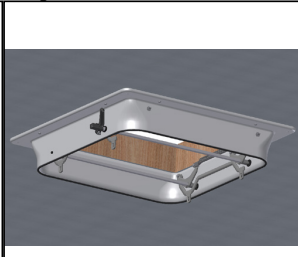
Hang S-hook into pre-drilled hole (A). Attach spring on S-Hook and J-Hook (B). Repeat for opposite side.

Step 4: (Caulk Top Of Inlet)



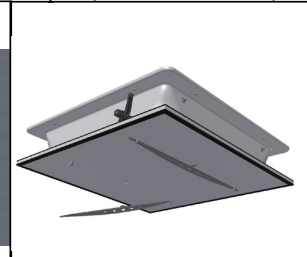
Place a bead of caulk around top side of inlet. Using 2" wood screws with a washer fasten inlet to ceiling. 8 screws placed 3/4" from outside edge.

Step 5: (Fasten Screws)



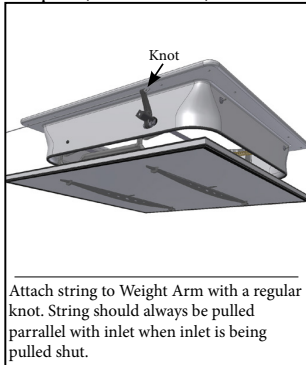
Fasten inlet to ceiling.

Step 6: (Install Lid to Inlet)



Install bottom lid to inlet.

Step 7: (Winch Line)



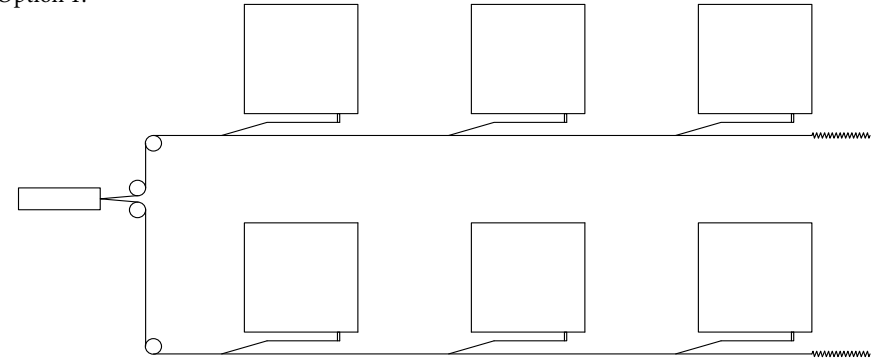
Attach string to Weight Arm with a regular knot. String should always be pulled parallel with inlet when inlet is being pulled shut.

WARNING: Do not open inlet more than 4.5" or permanent spring damage may occur

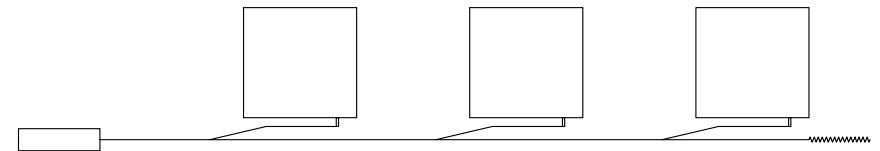
Installation Instructions

AC3010 Winch Line Setup(s)

Option 1:



Option 2:



Warranty

Manufacturer warrants each new Inlet manufactured to be free from defects in material or workmanship for one year from and after the date of initial installation by or for the original purchaser. If such a defect is found by the Manufacturer to exist within the one-year period, the Manufacturer will, at its option repair or replace such product free of charge, F.O.B. manufacturer. Labor costs associated with the replacement or repair of the product are not covered by the Manufacturer.

Conditions and Limitations:

1. The product must be installed and operated in accordance with the instructions provided or Warranty will be void.
 2. Warranty is void if all components of the system are not original equipment supplied by the Manufacturer.
 3. Malfunctions or failure resulting from misuse, abuse, negligence, alteration, accident, or lack of proper maintenance shall not be considered defects under the warranty.
 4. This Warranty applies only to systems for poultry and swine. Other applications in industry or commerce are not covered by this Warranty. The Manufacturer shall not be liable for a Consequential or Special Damage which any purchaser may suffer or claim to suffer as a result of any defect in the product. "Consequential" or "Special Damages" as used herein include, but are not limited to, lost or damaged products or goods, costs of transportation, lost sales, lost orders, lost income, increased overhead, labor and incidental costs and operational inefficiencies.
- THIS WARRANTY CONSTITUTES THE MANUFACTURER'S ENTIRE AND SOLE WARRANTY AND THIS MANUFACTURER EXPRESSLY DISCLAIMS ANY AND ALL OTHER WARRANTIES, INCLUDING, BUT NOT LIMITED TO, EXPRESS AND IMPLIED WARRANTIES AS TO MERCHANTABILITY, FITNESS FOR PARTICULAR PURPOSES SOLD AND DESCRIPTION OR QUALITY OF THE PRODUCT FURNISHED HEREUNDER.

No one is authorized to modify or extend the terms and conditions of the Warranty in any manner or to offer or grant any other warranties for products in addition to those terms expressly stated above. The Manufacturer reserves the right to change models and specifications at any time without notice or obligation to improve previous models.